

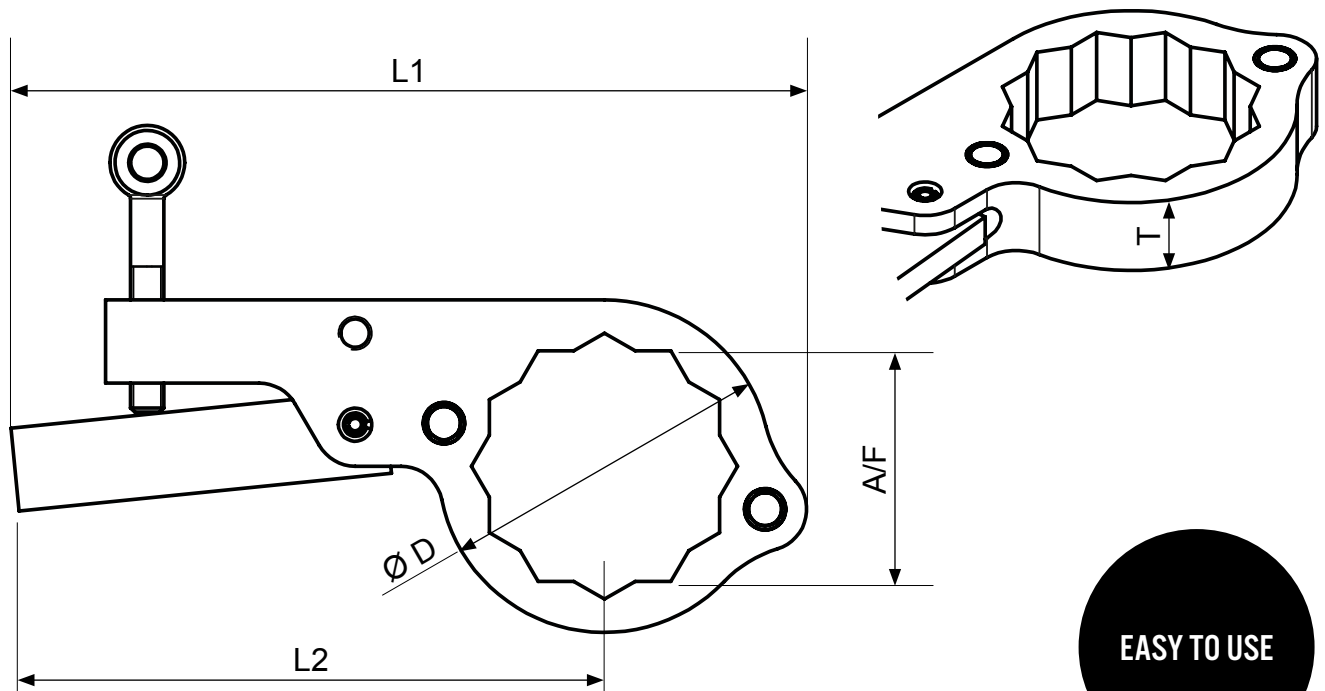
BOLTING ACCESSORIES





BACK UP WRENCH (BUW)

BUW is both simple and ingenious. It is provided with magnets that help to hold it in place. It can also be secured by a wire or similar.



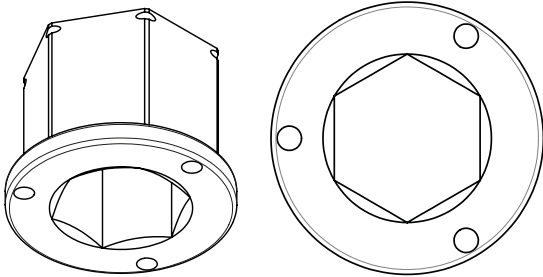
EASY TO USE



L1 (mm)	L2 (mm)	D (mm)	T (mm)	Weight (kg)	Part No (mm)	A/F (mm)	Part No (inch)	A/F (inch)
144	110	54	15	0,4	BUW 36	36	BUW 1 7/16	1 7/16
152	115	62	15	0,5	BUW 41	41	BUW 1 5/8	1 5/8
180	138	68	20	0,8	BUW 46 = 1 13/16	46	BUW 46 = 1 13/16	1 13/16
187	141	75	20	0,9	BUW 50	50	BUW 2	2
191	143	80	20	0,9	BUW 55	55	BUW 2 3/16	2 3/16
199	148	86	20	1,0	BUW 60	60	BUW 2 3/8	2 3/8
219	163	96	25	1,0	BUW 65 = 2 9/16	65	BUW 65 = 2 9/16	2 9/16
245	184	102	25	1,9	BUW 70 = 2 3/4	70	BUW 70 = 2 3/4	2 3/4
255	190	110	25	2,1	BUW 75	75	BUW 2 15/16	2 15/16
261	192	118	25	2,2	BUW 80	80	BUW 3 1/8	3 1/8
320	235	140	30	4,0	BUW 95 = 3 3/4	95	BUW 95 = 3 3/4	3 3/4

REDUCING INSERTS (RI)

You can double the use of your tool by using Momento reducing inserts. One ratchet link can be used on several sizes of bolts. Our reducing inserts are available in different lengths - choose the one that suits your tools.

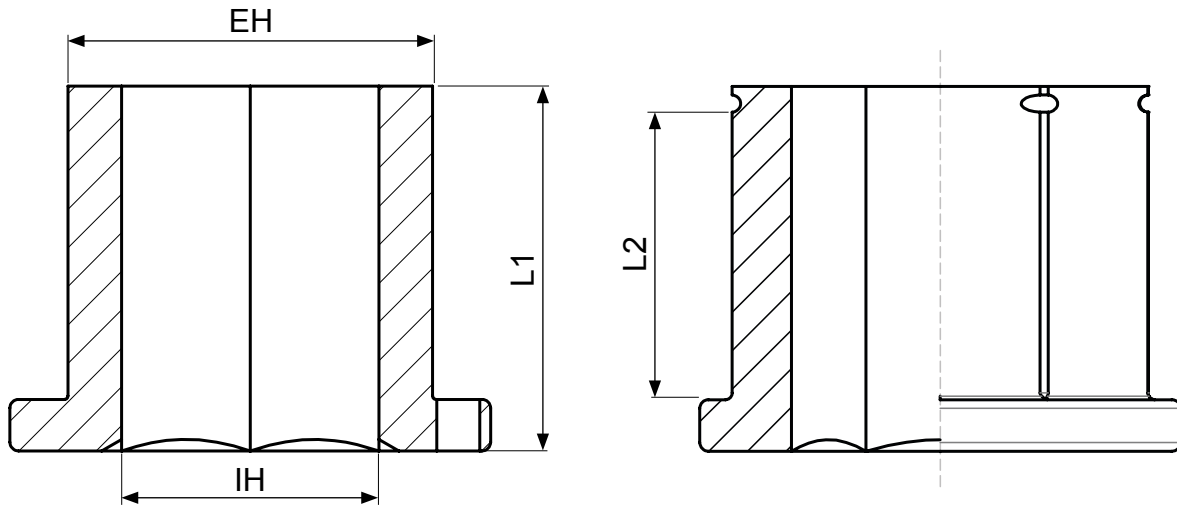


**UNIVERSAL
LOCKING WITH
MAGNETS**



EH (mm)	IH (mm)	Part No (mm)	L1 (mm)	L2 (mm)	Part No (mm)	L1 (mm)	L2 (mm)	Part No (mm)	L1 (mm)	L2 (mm)	Part No (mm)	EH (mm)	IH (mm)	L1 (mm)	L2 (mm)
41	36	RI45-41/36	45	33	RI55-41/36	55	42	-	-	-	RI85-80/75	80	75	85	67
41	32	RI45-41/32	45	33	-	-	-	-	-	-	RI85-80/70	80	70	85	67
41	30	RI45-41/30	45	33	-	-	-	-	-	-	RI85-80/65	80	65	85	67
46	41	RI45-46/41	45	33	-	-	-	-	-	-	RI85-85/80	85	80	85	67
46	36	RI45-46/36	45	33	-	-	-	-	-	-	RI85-85/75	85	75	85	67
46	32	RI45-46/32	45	33	-	-	-	-	-	-	RI85-85/70	85	70	85	67
50	46	RI45-50/46	45	33	RI55-50/46	55	42	-	-	-	RI85-90/85	90	85	85	67
50	41	RI45-50/41	45	33	RI55-50/41	55	42	-	-	-	RI85-90/80	90	80	85	67
50	36	RI45-50/36	45	33	RI55-50/36	55	42	-	-	-	RI85-90/75	90	75	85	67
55	50	RI45-55/50	45	33	RI55-55/50	55	42	RI70-55/50	70	55	RI85-95/90	95	90	85	67
55	46	RI45-55/46	45	33	RI55-55/46	55	42	RI70-55/46	70	55	RI85-95/85	95	85	85	67
55	41	RI45-55/41	45	33	RI55-55/41	55	42	RI70-55/41	70	55	RI85-95/80	95	80	85	67
60	55	RI45-60/55	45	33	RI55-60/55	55	42	RI70-60/55	70	55	RI85-100/95	100	95	85	67
60	50	RI45-60/50	45	33	RI55-60/50	55	42	RI70-60/50	70	55	RI85-100/90	100	90	85	67
60	46	RI45-60/46	45	33	RI55-60/46	55	42	RI70-60/46	70	55	RI85-100/85	100	85	85	67
65	60	-	-	-	RI55-65/60	55	42	RI70-65/60	70	55	RI85-105/100	105	100	85	67
65	55	-	-	-	RI55-65/55	55	42	RI70-65/55	70	55	RI85-105/95	105	95	85	67
65	50	-	-	-	RI55-65/50	55	42	RI70-65/50	70	55	RI85-105/90	105	90	85	67
70	65	-	-	-	RI55-70/65	55	42	RI70-70/65	70	55	RI85-110/105	110	105	85	67
70	60	-	-	-	RI55-70/60	55	42	RI70-70/60	70	55	RI85-110/100	110	100	85	67
70	55	-	-	-	RI55-70/55	55	42	RI70-70/55	70	55	RI85-110/95	110	95	85	67
75	70	-	-	-	RI55-75/70	55	42	RI70-75/70	70	55	RI85-115/110	115	110	85	67
75	65	-	-	-	RI55-75/65	55	42	RI70-75/65	70	55	RI85-115/105	115	105	85	67
75	60	-	-	-	RI55-75/60	55	42	RI70-75/60	70	55	RI85-115/100	115	100	85	67
80	75	-	-	-	RI55-80/75	55	42	RI70-80/75	70	55	RI85-120/115	120	115	85	67
80	70	-	-	-	RI55-80/70	55	42	RI70-80/70	70	55	RI85-120/110	120	110	85	67
80	65	-	-	-	RI55-80/65	55	42	RI70-80/65	70	55	RI85-120/105	120	105	85	67
85	80	-	-	-	-	-	-	RI70-85/80	70	55	RI85-125/120	125	120	85	67
85	75	-	-	-	-	-	-	RI70-85/75	70	55	RI85-125/115	125	115	85	67
85	70	-	-	-	-	-	-	RI70-85/70	70	55	RI85-125/110	125	110	85	67
90	85	-	-	-	-	-	-	RI70-90/85	70	55	RI85-130/125	130	125	85	67
90	80	-	-	-	-	-	-	RI70-90/80	70	55	RI85-130/120	130	120	85	67
90	75	-	-	-	-	-	-	RI70-90/75	70	55	RI85-130/115	130	115	85	67
95	90	-	-	-	-	-	-	RI70-95/90	70	55	-	-	-	-	-
95	85	-	-	-	-	-	-	RI70-95/85	70	55	-	-	-	-	-
95	80	-	-	-	-	-	-	RI70-95/80	70	55	-	-	-	-	-
100	95	-	-	-	-	-	-	RI70-100/95	70	55	-	-	-	-	-
100	90	-	-	-	-	-	-	RI70-100/90	70	55	-	-	-	-	-
100	85	-	-	-	-	-	-	RI70-100/85	70	55	-	-	-	-	-

Other sizes or adapters from inches to metric and metric to inches on request.

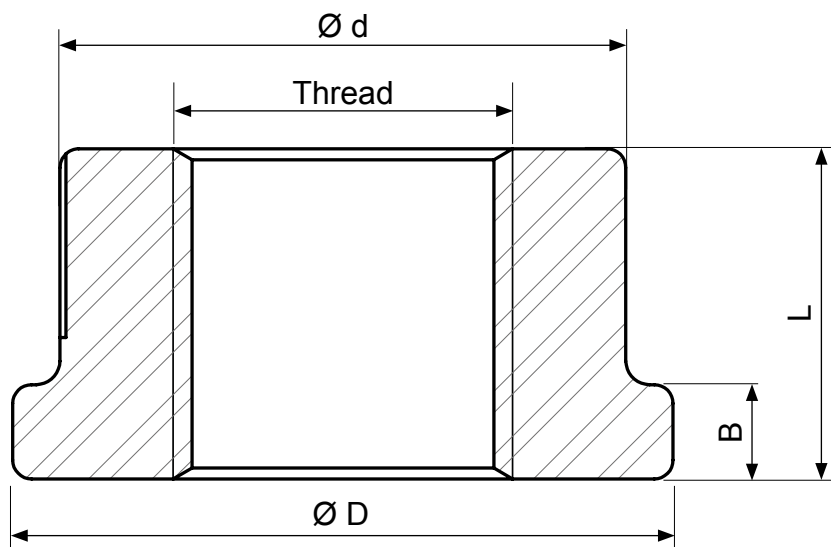


Part No (inch)	EH (inch)	IH (inch)	L1 (mm)	L2 (mm)	Part No (inch)	EH (inch)	IH (inch)	L1 (mm)	L2 (mm)
RI45 107/104F	1 7/16	1 1/4	45	33	RI55 113/110F	1 13/16	1 5/8	55	42
RI45 110/107F	1 5/8	1 7/16	45	33	RI55 200/113F	2	1 13/16	55	42
RI45 110/104F	1 5/8	1 1/4	45	33	RI55 200/110F	2	1 5/8	55	42
RI45 113/110F	1 13/16	1 5/8	45	33	RI55 203/200F	2 3/16	2	55	42
RI45 113/107F	1 13/16	1 7/16	45	33	RI55 203/113F	2 3/16	1 13/16	55	42
RI45 200/113F	2	1 13/16	45	33	RI55 206/203F	2 3/8	2 3/16	55	42
RI45 200/110F	2	1 5/8	45	33	RI55 206/200F	2 3/8	2	55	42
RI45 203/200F	2 3/16	2	45	33	RI55 209/206F	2 9/16	2 3/8	55	42
RI45 203/113F	2 3/16	1 13/16	45	33	RI55 209/203F	2 9/16	2 3/16	55	42
RI45 206/203F	2 3/8	2 3/16	45	33	RI55 212/209F	2 3/4	2 9/16	55	42
RI45 206/200F	2 3/8	2	45	33	RI55 212/206F	2 3/4	2 3/8	55	42
-	-	-	-	-	RI55 215/212F	2 15/16	2 3/4	55	42
-	-	-	-	-	RI55 215/209F	2 15/16	2 9/16	55	42
-	-	-	-	-	RI55 302/215F	3 1/8	2 15/16	55	42
-	-	-	-	-	RI55 302/212F	3 1/8	2 3/4	55	42

Part No (inch)	EH (inch)	IH (inch)	L1 (mm)	L2 (mm)	Part No (inch)	EH (inch)	IH (inch)	L1 (mm)	L2 (mm)
RI70 203/200F	2 3/16	2	70	55	RI85 302/215F	3 1/8	2 15/16	85	67
RI70 203/113F	2 3/16	1 13/16	70	55	RI85 302/212F	3 1/8	2 3/4	85	67
RI70 206/203F	2 3/8	2 3/16	70	55	RI85 306/302F	3 3/8	3 1/8	85	67
RI70 206/200F	2 3/8	2	70	55	RI85 306/300F	3 3/8	3	85	67
RI70 209/206F	2 9/16	2 3/8	70	55	RI85 308/302F	3 1/2	3 1/8	85	67
RI70 209/203F	2 9/16	2 3/16	70	55	RI85 308/300F	3 1/2	3	85	67
RI70 212/209F	2 3/4	2 9/16	70	55	RI85 312/308F	3 3/4	3 1/2	85	67
RI70 212/206F	2 3/4	2 3/8	70	55	RI85 312/306F	3 3/4	3 3/8	85	67
RI70 215/212F	2 15/16	2 3/4	70	55	RI85 314/308F	3 7/8	3 1/2	85	67
RI70 215/209F	2 15/16	2 9/16	70	55	RI85 314/306F	3 7/8	3 3/8	85	67
RI70 300/212F	3	2 3/4	70	55	RI85 402/314F	4 1/8	3 7/8	85	67
RI70 300/209F	3	2 9/16	70	55	RI85 402/312F	4 1/8	3 3/4	85	67
RI70 302/215F	3 1/8	2 15/16	70	55	RI85 404/314F	4 1/4	3 7/8	85	67
RI70 302/212F	3 1/8	2 3/4	70	55	RI85 404/312F	4 1/4	3 3/4	85	67
RI70 306/300F	3 3/8	3	70	55	RI85 410/404F	4 5/8	4 1/4	85	67
RI70 306/215F	3 3/8	2 15/16	70	55	RI85 410/402F	4 5/8	4 1/8	85	67
RI70 308/302F	3 1/2	3 1/8	70	55	RI85 500/410F	5	4 5/8	85	67
RI70 308/300F	3 1/2	3	70	55	RI85 500/404F	5	4 1/4	85	67
RI70 312/308F	3 3/4	3 1/2	70	55	RI85 410/314F	4 5/8	3 7/8	85	67
RI70 312/306F	3 3/4	3 3/8	70	55	RI85 410/312F	4 5/8	3 3/4	85	67
RI70 314/308F	3 7/8	3 1/2	70	55	-	-	-	-	-
RI70 314/306F	3 7/8	3 3/8	70	55	-	-	-	-	-

SAFETY NUT (SN)

This is not a standard nut! With Momento safety nut you can secure your ratchet link tool or secure your back up wrench. Our safety nuts are produced in aluminium and have low weight, good strength and a long life time.

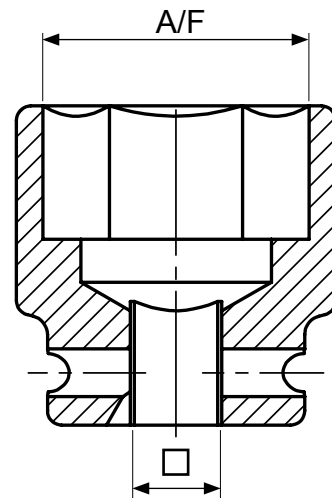


D (mm)	d (mm)	L (mm)	B (mm)	Part No (mm)	A/F (mm)	Thread (mm)	Part No (inch)	A/F (inch)	Thread (inch)
45	45	35	-	SN24	36	M 24	SN 7/8	1 7/16	7/8
52	45	35	10	SN27	41	M 27	SN1	1 5/8	1
58	55	35	10	SN30	46	M 30	SN1 1/8	1 13/16	1 1/8
63	55	35	10	SN33	50	M 33	SN1 1/4	2	1 1/4
70	60	40	15	SN36	55	M 36	SN 1 3/8	2 3/16	1 3/8
75	60	40	15	SN39	60	M 39	SN 1 1/2	2 3/8	1 1/2
82	65	40	15	SN42	65	M 42	SN 1 5/8	2 9/16	1 5/8
88	70	45	20	SN45	70	M 45	SN 1 3/4	2 3/4	1 3/4
95	70	45	20	SN48	75	M 48	SN 1 7/8	2 15/16	1 7/8
100	75	45	20	SN52	80	M 52	SN2	3 1/8	2
120	85	50	25	SN64	95	M 64	SN 2 1/2	3 3/4	2 1/2

IMPACT SOCKETS

Here we present the most common models of impact sockets. Impact sockets shall always be used in driven tools. All use of “non impact sockets” in hydraulic tools can cause severe injuries.

Please visit our website www.momento.se
In our catalogue you can find all our impact sockets.



□ = Square drive

A/F (mm)	Part No square drive 3/4"	Part No square drive 1"	Part No square drive 1 1/2"	Part No square drive 2 1/2"
30	2-30=1 3/16	9-30= 1 3/16	5-30= 1 3/16	-
32	2-32	9-32	5-32	-
36	2-36	9-36	5-36	-
41	2-41	9-41	5-41	-
46	2-46=1 13/16	9-46=1 13/16	5-46=1 13/16	-
50	2-50	9-50	5-50	6-50
55	2-55	9-55	5-55	6-55
60	2-60	9-60	5-60	6-60
65	2-65=2 9/16	9-65=2 9/16	5-65=2 9/16	6-65=2 9/16
70	2-70=2 3/4	9-70=2 3/4	5-70=2 3/4	6-70=2 3/4
75	2-75	9-75	5-75	6-75
80	2-80	9-80	5-80	6-80
85	2-85	9-85	5-85	6-85
90	2-90	9-90	5-90	6-90
95	2-95=3 3/4	9-95=3 3/4	5-95=3 3/4	6-95=3 3/4
100	-	9-100	5-100	6-100
105	-	9-105	5-105	6-105
110	-	9-110	5-110	6-110
115	-	9-115	5-115	6-115

A/F (inch)	Part No square drive 3/4"	Part No square drive 1"	Part No square drive 1 1/2"	Part No square drive 2 1/2"
1 3/16	2-30=1 3/16	9-30= 1 3/16	5-30= 1 3/16	-
1 1/4	2-1 1/4	9-1 1/4	5-1 1/4	-
1 7/16	2-1 7/16	9-1 7/16	5-1 7/16	-
1 5/8	2-1 5/8	9-1 5/8	5-1 5/8	-
1 13/16	2-46=1 13/16	9-46=1 13/16	5-46=1 13/16	-
2	2-2	9-2	5-2	6-2
2 3/16	2-2 3/16	9-2 3/16	5-2 3/16	6-2 3/16
2 3/8	2-2 3/8	9-2 3/8	5-2 3/8	6-2 3/8
2 9/16	2-65=2 9/16	9-65=2 9/16	5-65=2 9/16	6-65=2 9/16
2 3/4	2-70=2 3/4	9-70=2 3/4	5-70=2 3/4	6-70=2 3/4
2 15/16	-	9-2 15/16	5-2 15/16	6-2 15/16
3 1/8	-	9-3 1/8	5-3 1/8	6-3 1/8
3 3/8	-	9-3 3/8	5-3 3/8	6-3 3/8
3 1/2	-	9-3 1/2	5-3 1/2	6-3 1/2
3 3/4	2-95=3 3/4	9-95=3 3/4	5-95=3 3/4	6-95=3 3/4
4	-	9-4	5-4	6-4
4 1/8	-	9-105=4 1/8	5-105=4 1/8	6-105=4 1/8
4 3/8	-	-	5-4 3/8	6-4 3/8
4 1/2	-	-	5-4 1/2	6-4 1/2



WORLDWIDE PRESENCE



MADE IN SWEDEN SINCE 1951 / www.momento.se

MOMENTO
P.O. Box 14
642 21 Flen
Sweden

VISITING ADDRESS
Kungsvägen 68
642 34 Flen
Sweden

CONTACT US
+46 157-690 00
info@momento.se
www.momento.se

